

PART  
NAME

# MONITOR SHELF WITH FOLD-UP KEYBOARD

PART  
NO.

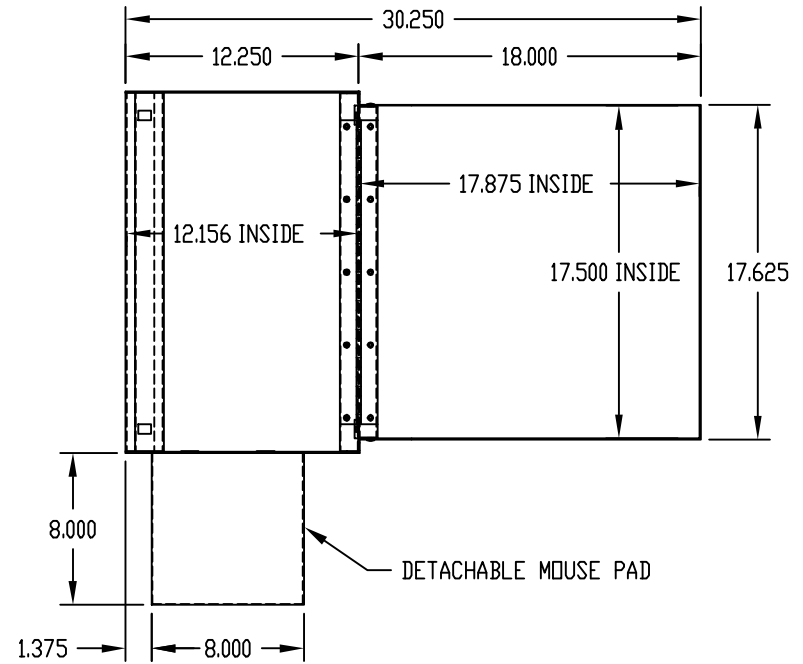
SA-1746

**MATERIAL:**

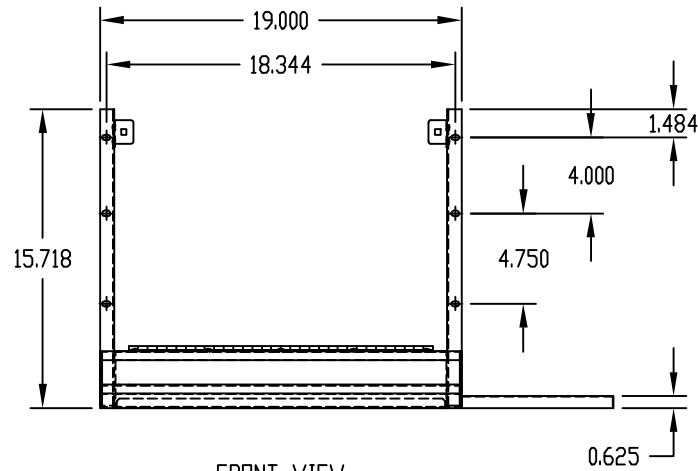
- STRIKE BRACKET \_\_\_\_\_ 18 GA. STEEL
- KEYBOARD SHELF & MOUSE PAD \_\_\_\_\_ 18 GA. STEEL
- MONITOR SHELF \_\_\_\_\_ 16 GA. STEEL
- HINGE \_\_\_\_\_ 16 GA. STEEL W/0.120 DIA. PIN

**FINISH:**

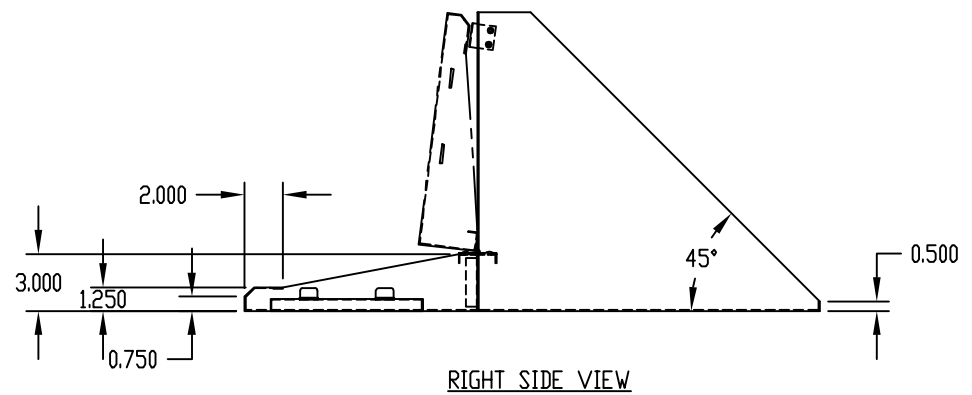
- MONITOR SHELF, KEYBOARD SHELF,  
STRIKE BRACKET & MOUSE PAD \_\_\_\_\_ BLACK TEXTURE
- HINGE \_\_\_\_\_ SMOOTH BLACK



TOP VIEW



FRONT VIEW



RIGHT SIDE VIEW